

Introducing

**VORT-X**

Advanced ESP Desander



**YOUR PARTNER IN ESP PROTECTION**



# **VORT-X** **ESP Desander**



## **Sand Issues**

- **Sand slugging, particularly at initial production phase**
- **Reduce impeller wear**
- **Prevent shaft break**
- **Increase production**

**Protect your ESP**

# VORT-X ESP Desander



## Critical sections



# **VORT-X** **ESP Desander**



## **Features**

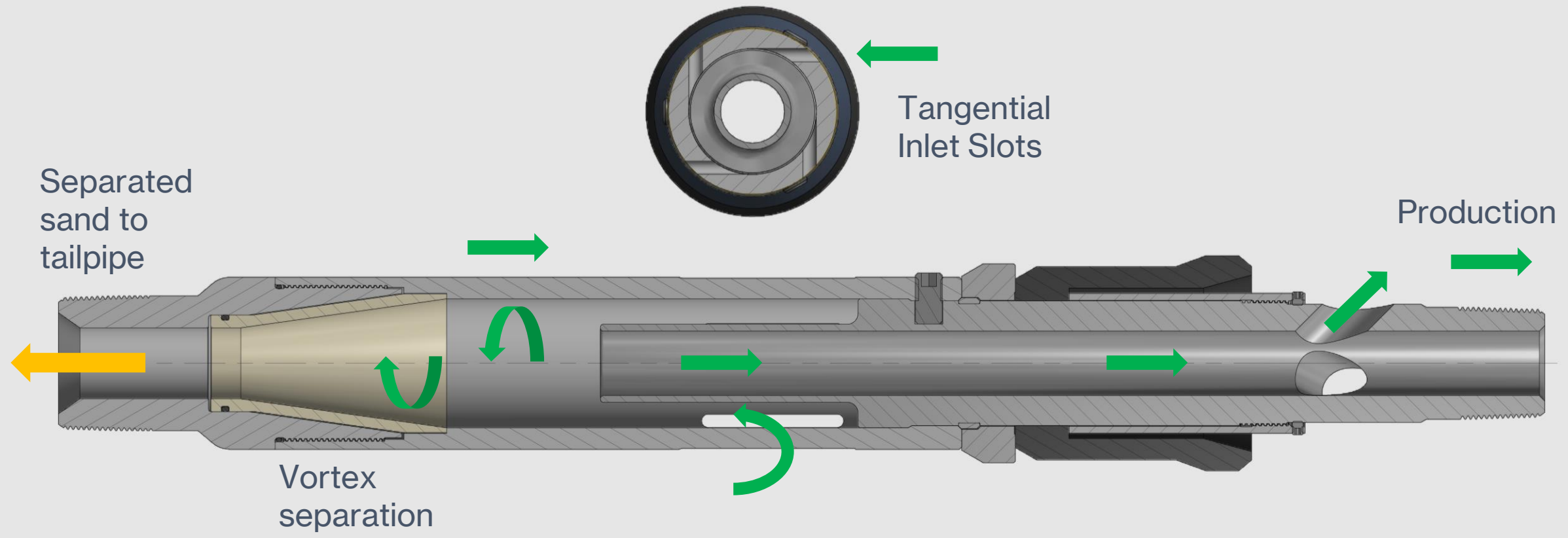
- **Advanced vortex technology**
- **Superior solids separation**
- **No moving parts**
- **Corrosion resistant materials**
- **Hardened internal surfaces**
- **Easy to install**
- **Easy to redress**



# VORT-X ESP Desander

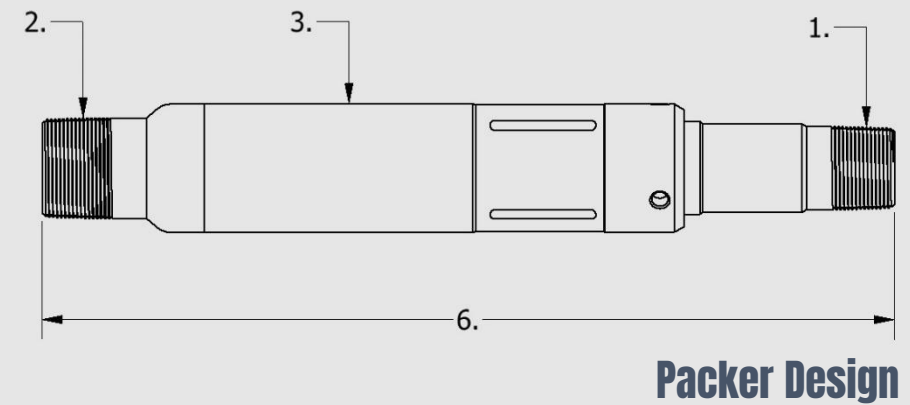
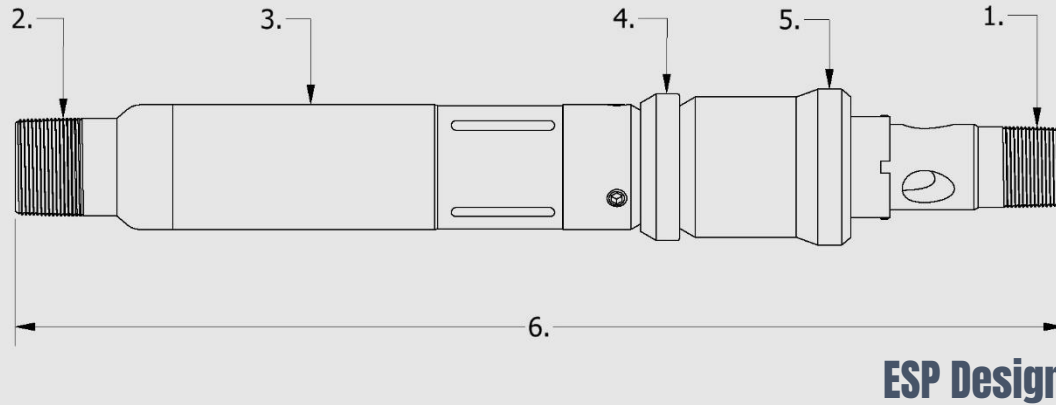


## Operation



## Dimensions

# VORT-X ESP Desander

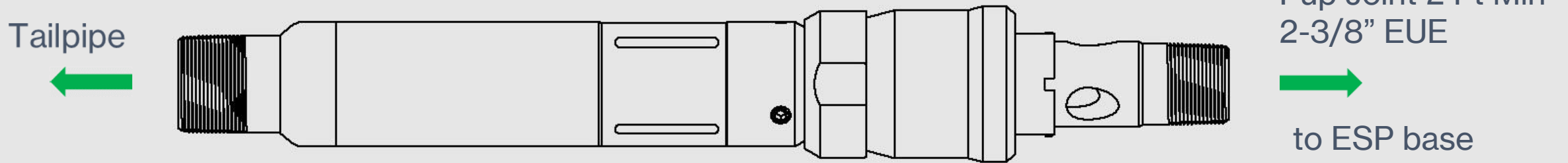


		5-1/2"	7"	7-5/8"	5-1/2" PACKER
	RANGE	15.5# - 23#	23# - 32#	26.4# - 29.7#	15.5# - 23#
1	TOP CONNECTION	2-3/8" EUE PIN			
2	BOTTOM CONNECTION	2-7/8" EUE PIN	2-7/8" EUE PIN	3-1/2" EUE PIN	2-7/8" EUE PIN
3	BODY OD	4.00"	4.00"	5.00"	4.00"
4	GAUGE RING OD	1/16" UNDER CASING DRIFT			
5	SWAB CUP OD	1/32" OVER MAX CASING ID			
6	OVERALL LENGTH	33.6"	33.6"	38"	26.6"
	TOOL WEIGHT	48 LBS	53 LBS	66 LBS	34 LBS

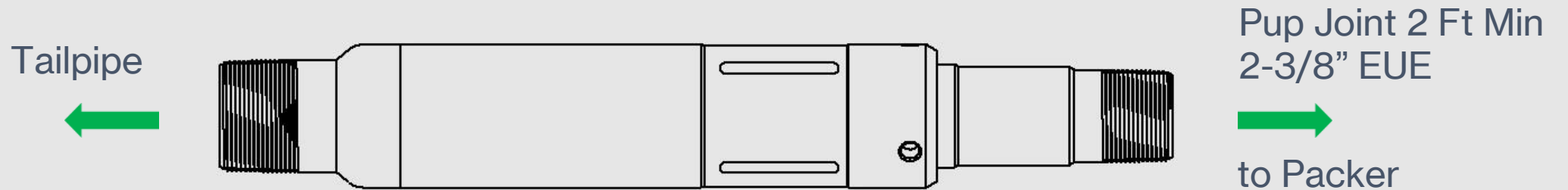
# VORT-X ESP Desander



## Installation



## RECOMMENDED PUP JOINT ABOVE DESANDER



# Tailpipe

# VORT-X ESP Desander



## TAILPIPE CAPACITIES

TAILPIPE SIZE	2-3/8"	2-7/8"	3-1/2"	4-1/2"
	4.6#	6.4#	9.2#	12.6#
TAILPIPE ID	1.995"	2.441"	2.992"	3.958"
LENGTH TAILPIPE (FEET)	VOLUME (CUBIC INCH) US GALLON			
50	1876 8	2808 12	4219 18	7382 32
100	3751 16	5616 24	8437 37	14765 64
150	5627 24	8424 36	12656 55	22147 96
200	7502 32	11232 49	16874 73	29530 128
250	9378 41	14040 61	21093 91	36912 160
300	11254 49	16848 73	25312 110	44294 192
400	15005 65	22464 97	33749 146	59059 256

## SPECIFICATION

Generally J-55 or L-80 API  
Tubing with EUE connections





# **VORT-X**

**Advanced ESP Desander**



**Thank for your time**



Made in USA